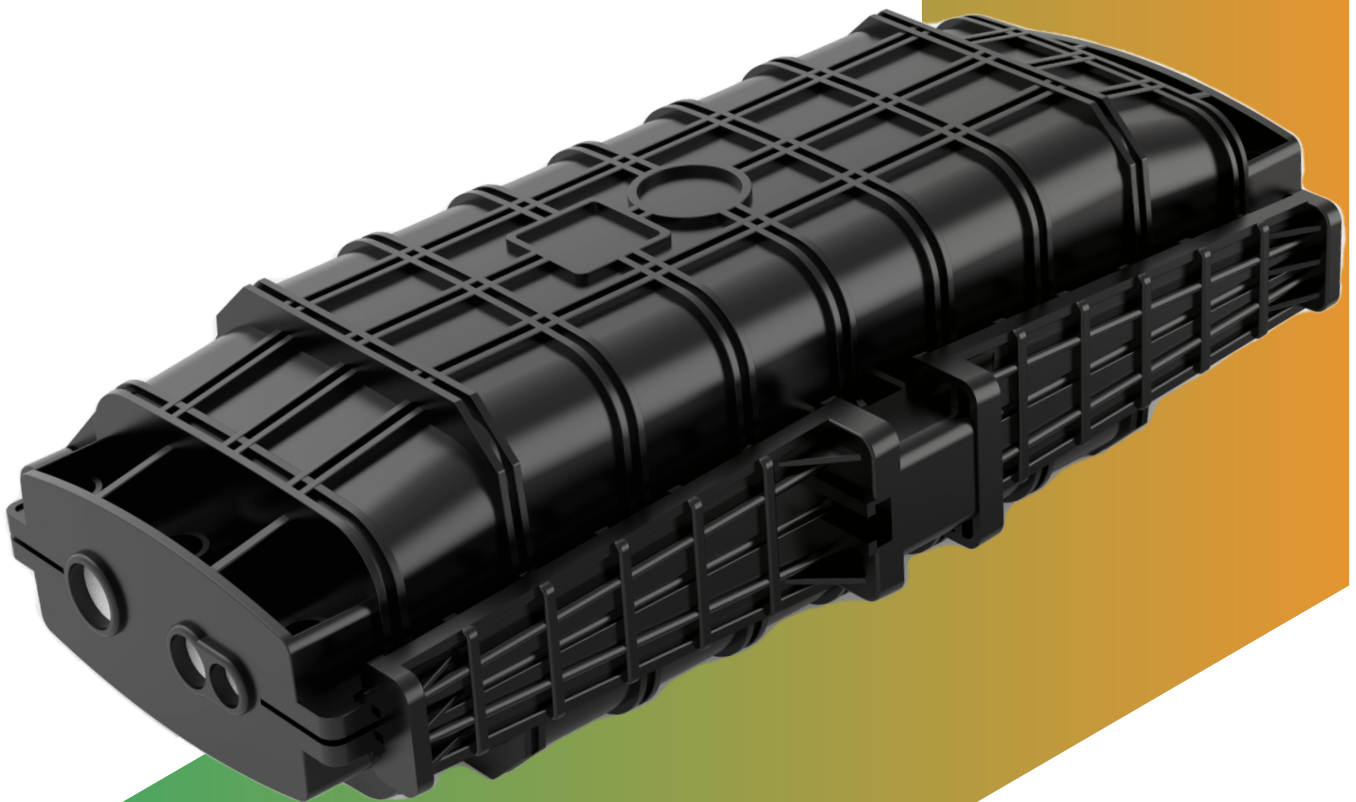


# GJS-III-6002 Fiber Optical Splice Closure Installation Manual

Version:1.0



## 1. Scope of application

This Installation Manual is suit for the Fiber Optic Splice Closure (Hereafter abbreviated as FOSC), as the guidance of proper installation.

The scope of application is: aerial, underground, wall-mounting, duct-mounting, handhole-mounting. The ambient temperature ranges from -40°C to +65°C.

## 2. Basic structure and configuration

### 2.1 Dimension and capacity

Outside dimension (LxWxH)	396x200x126 (mm)
Weight (excluding outside box)	2500g-2700g
Number of inlet/outlet ports	3 (pieces) on each side (total 6 pieces)
Diameter of fiber cable	Φ7—Φ20 (mm)
Capacity of FOSC	Bunchy: 12—96 (Cores) Ribbon: max. 144(Cores)

### 2.2 Main components

No.	Name of components	Quantity	Usage	Remarks
1	Housing	1 set	Protecting fiber cable splices in whole	Internal diameter: 330x120x110 (mm)
2	Insert plate	1 pairs	Fixing the housing	175x56x30(mm)
3	Fiber optic splice tray (FOST)	max. 6 pcs (bunchy) max. 4pcs (ribbon)	Fixing heat shrinkable protective sleeve and holding fibers	Suitable for: Bunchy:12,24(cores) ) Ribbon:3 (pieces)
4	Foundation	1 set	Fixing reinforced core of fiber-cable and FOST	
5	Seal fitting	1 set	Sealing between FOSC cover and FOSC bottom	
6	Port plug	6 pieces	Sealing empty ports	
7	Pressure testing valve	1 set	After injecting air, it is used for pressure testing and sealing testing	Configuration as per requirement
8	Earthing deriving device	1 set	Deriving metallic components of fiber cable in FOSC for earthing connection	Configuration as per requirement

### 2.3 Main accessories and special tools

No.	Name of accessories	Quantity	Usage	Remarks
1	Heat shrinkable protective sleeve		Protecting fiber splices	Configuration as per capacity
2	Nylon tie		Fixing fiber with protective coat	Configuration as per capacity
3	Insulation tape	1 roll	Enlarging diameter of fiber cable for easy fixing	
4	Seal tape	1 roll	Enlarging diameter of fiber cable which fits in with seal fitting	Configuration as per specification
5	Hanging hook	1 set	For aerial use	
6	Earthing wire	1 piece	Putting through between earthing devices	
7	Abrasive cloth	1 piece	Scratching fiber cable	
8	Labeling paper	1 piece	Labeling fiber	
9	Special wrench	2 pieces	Fixing bolts, tightening nut of reinforced core	
10	Measuring paper	1 piece	To measure circle, of which its diameter is enlarged with seal tape	
11	Buffer tube	to be decided by customers	Hitched to fibers and fixed with FOST, managing buffer	Configuration as per requirement
12	Desiccant	1 bag	Put into FOSC before sealing for desiccating air.	

## 3. Necessary tools for installation

### 3.1 Supplementary materials (to be provided by operator)

Name of materials	Usage
Scotch tape	Labeling, temporarily fixing
Ethyl alcohol	Cleaning
Gauze	Cleaning

### 3.2 Special tools (to be provided by operator)

Name of tools	Usage
---------------	-------

Fiber cutter	Cutting off fibers
Fiber stripper	Strip off protective coat of fiber cable
Combo tools	Assembling FOSC

### 3.3 Universal tools (to be provided by operator)

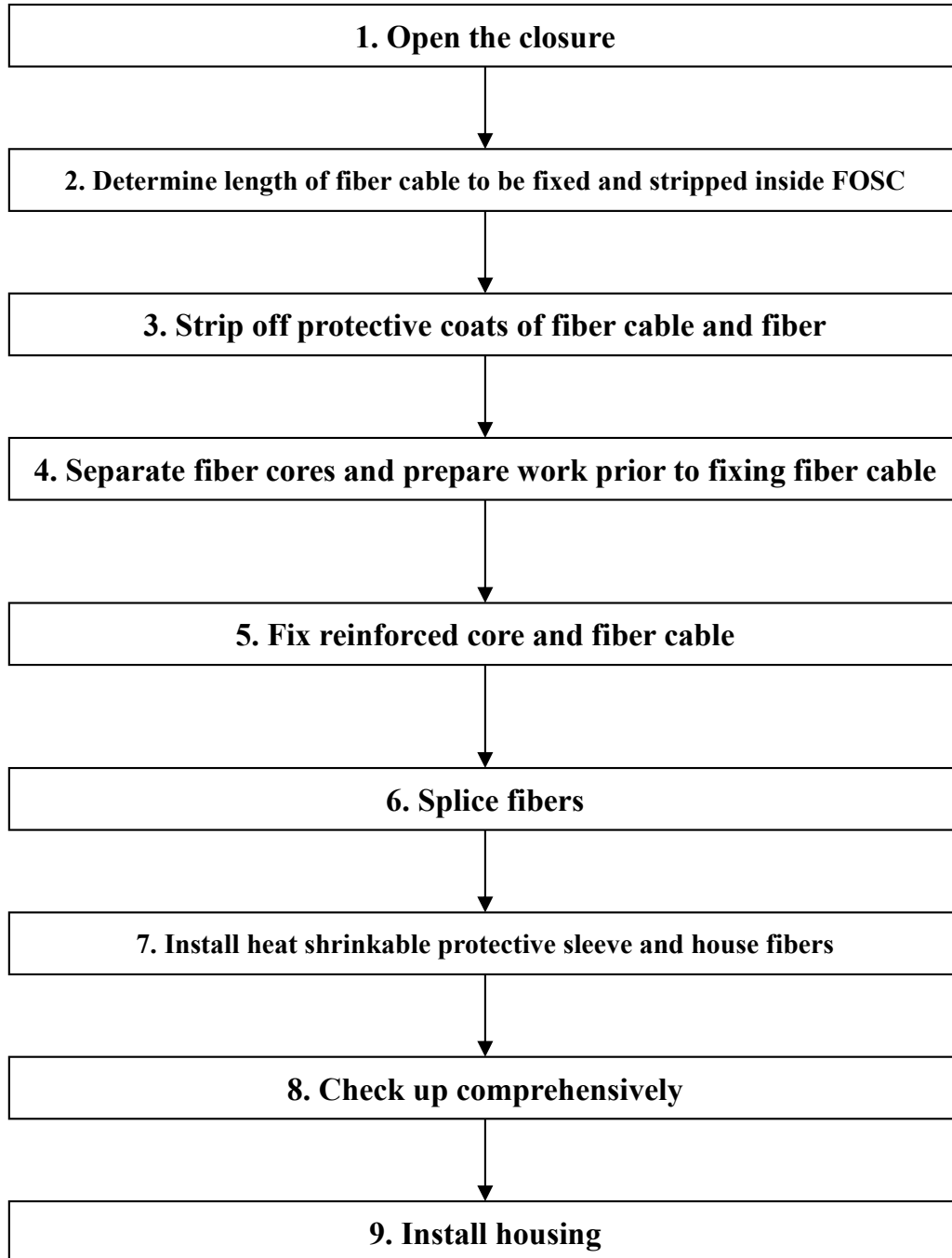
Name of tools	Usage and specification
Band tape	Measuring fiber cable
Pipe cutter	Cutting fiber cable
Electrical cutter	Take off protective coat of fiber cable
Combination pliers	Cutting off reinforced core
Screwdriver	Crossing/Paralleling screwdriver
Scissor	
Waterproof cover	Waterproof, dustproof
Metal wrench	Tightening nut of reinforced core

### 3.4 Splicing and testing instruments (to be provided by operator)

Name of instruments	Usage and specification
Fusion Splicing Machine	Fiber splicing
OTDR	Splicing testing
Provisional splicing tools	Provisional testing

Notice: The above-mentioned tools and testing instruments should be provided by the operators themselves.

#### 4. Installation flow chart



## 5. The process of installing FOSC

### 5.1 Step One - Open the closure

5.1.1 Cleaning the locale and determine where to install the FOSC and then place fiber cables required.

5.1.2 Check whether the main components and accessories have been well prepared inside the package.

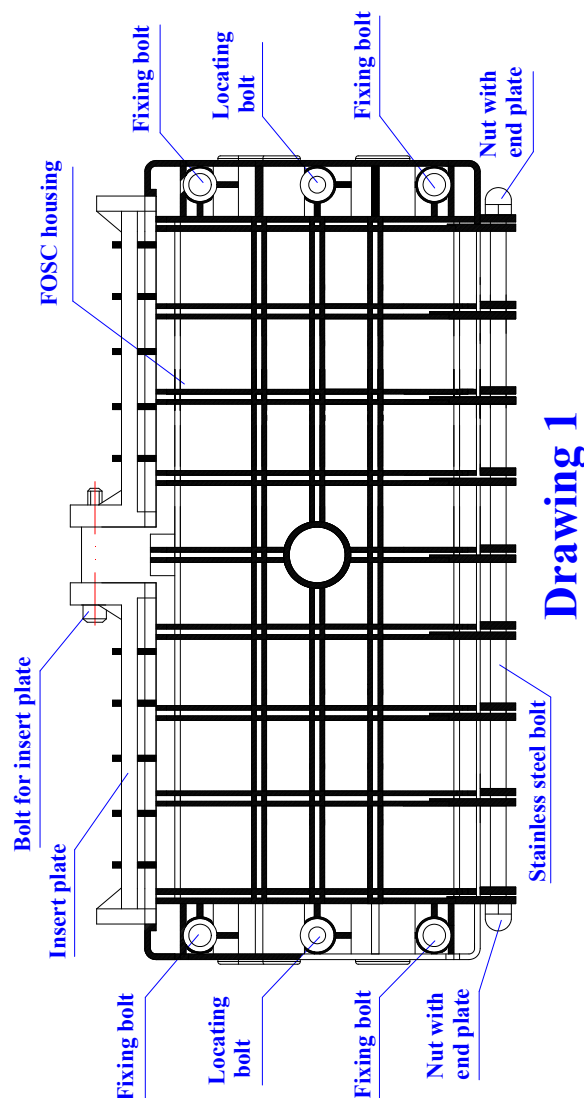
5.1.3 Open the closure

① Demount the fixing bolt of insert plate with a special wrench. Put out the fixing bolt, Use the special wrench and stroke on the other side of the insert plate. The insert plate will be unloading.

② Use the special wrench to demount two pcs of locating bolts on the housing as well as four pieces fixing bolts, then succeed in opening the closure.

5.1.4 See Drawing 1

**Important issues:** If the weather condition is not good enough, then a tent must be pitched for waterproof and dustproof.



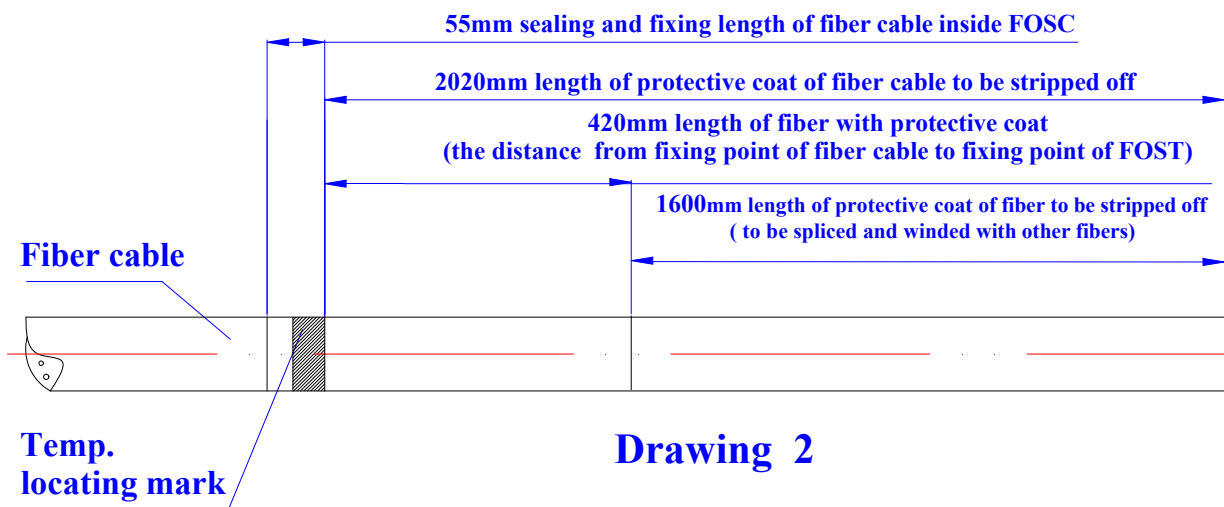
**Drawing 1**

## 5.2 Step Two -Determine length of fiber cable to be fixed and stripped inside FOSC

- 5.2.1
- ①. Fiber cable in 55mm length: the distance from seal fitting to fiber cable pressboard
  - ②. Fiber cable in 2020mm length: it is used to be wound and spliced after stripping.
  - ③. Fiber with protective coat in 420mm length: the distance from the fixing Point of fiber cable to the fixing point of FOST (fiber optic splice tray).
  - ④. Fiber in 1600mm length: after stripping off the protective coat, it is to be wound inside the FOST after splicing with other fibers

5.2.2 See Drawing 2

- Important issues:**
1. Reserve enough length of fiber cable to be spliced.
  2. Stripping length also could be decided by customers according to installation requirement

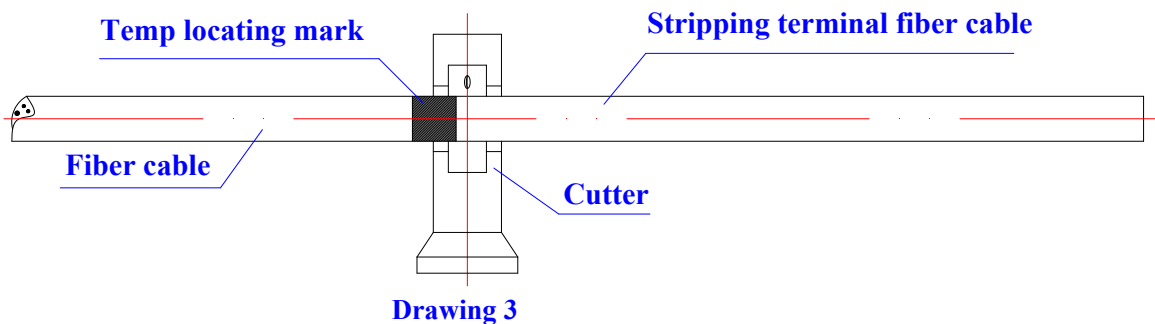


## 5.3 Step three – Strip off fiber protective coat of fiber cable and fiber

5.3.1 Strip off protective coat of fiber cable from the temp. locating mark with the cutter and the stripper, please refer to Drawing 2 for stripping length. Stripping length also could be decided according to installation requirement

5.3.2 See Drawing 3.

- Important issues:** If it is difficult to pull all the protective coat of fiber cable at one time, strip it off section by section to avoid fiber breakage.



#### 5.4 Step Four – Separate fiber cores and prepare work prior to fixing fiber.

5.4.1 Wind 2 layers of insulation tape on protective coat of fiber core. Meanwhile, get rid of the stuffing to separate fiber core and clean them. Form a ring with the diameter of 100mm or so and fix it on the fiber temporarily by adhesive tape.

5.4.2 This FOSC is provided with six inlet/outlet ports. Number of fiber cables is determined by the customers according to their actual requirements and the corresponding number of port plugs should be taken out. The max number of fiber cables to be installed is six.

5.4.3 This FOSC is suitable for the following diameters of fiber cables respectively:

Port A: suitable for fiber cable with max. external diameter  $\phi 20\text{mm}$

Port B: suitable for fiber cable with max. external diameter  $\phi 16\text{mm}$

Port C: suitable for fiber cable with max. external diameter  $\phi 13\text{mm}$

5.4.4 The corresponding inlet/outlet ports are to be selected according to fiber cables actually installed. When the diameter of fiber cable is smaller than that of the inlet/outlet port, then the sealing tape should be used to enlarge the external diameter of fiber cable, of which the perimeter could be measured by measuring paper marked by Hole A, Hole B, Hole C, coming as accessories

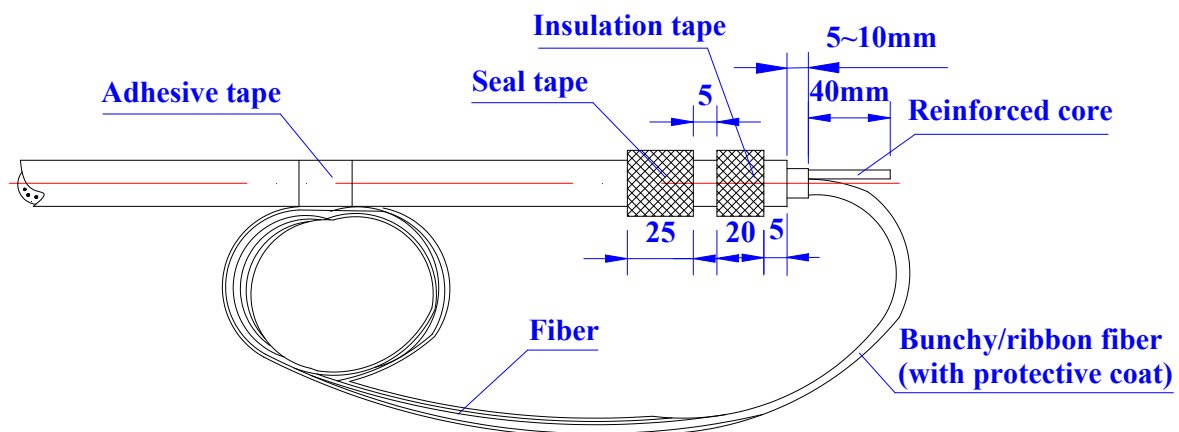
5.4.5 Reserve reinforced core in 40mm length and cut off the unnecessary ones.

5.4.6 The first ring of the sealing tape must be close to the cable, and each subsequent ring must be compacted with the adjacent ring, otherwise it may cause water leakage.

5.4.7 See Drawing 4

**Important Issues:** 1. before the seal tape is used for enlarging the fiber cable diameter, it should be scratched and to be cleaned with abrasive cloth and ethyl alcohol.

2. Cut off reinforced core with special cutting pliers.



**Drawing 4**

#### 5.5 Step Five - Fix reinforced core and fiber cable

5.5.1 Upon finishing the above steps, then demount port plugs, pressboard and fixing nut of reinforced core.

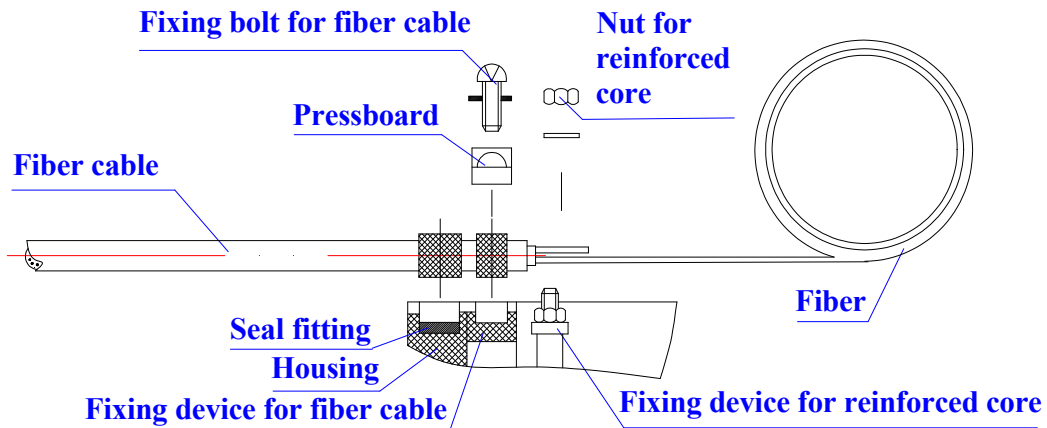
5.5.2 Tighten fiber cable pressboard. If the diameter of fiber cable is not long enough, then enlarge it with insulation tape.



5.5.3 Tighten nut of reinforced core with the special wrench (plastic) and then retighten it with the metal wrench.(the metal wrench should be provided by operator). (The locking torque of optical cable pressing plate is 10KGF/CM or 1N/M, exceeding which may cause damage to the product).

5.5.4 See Drawing 5

**Important issue:** Make sure to check whether the fiber cable stripped fits in with the fixing ports or not. If not, the adjustment should be done in time. Otherwise it will affect installation quality.



**Drawing 5**

## 5.6 Step six - Splice fibers

5.6.1 Follow user manual of fusion splicing machine to splice fiber cores.

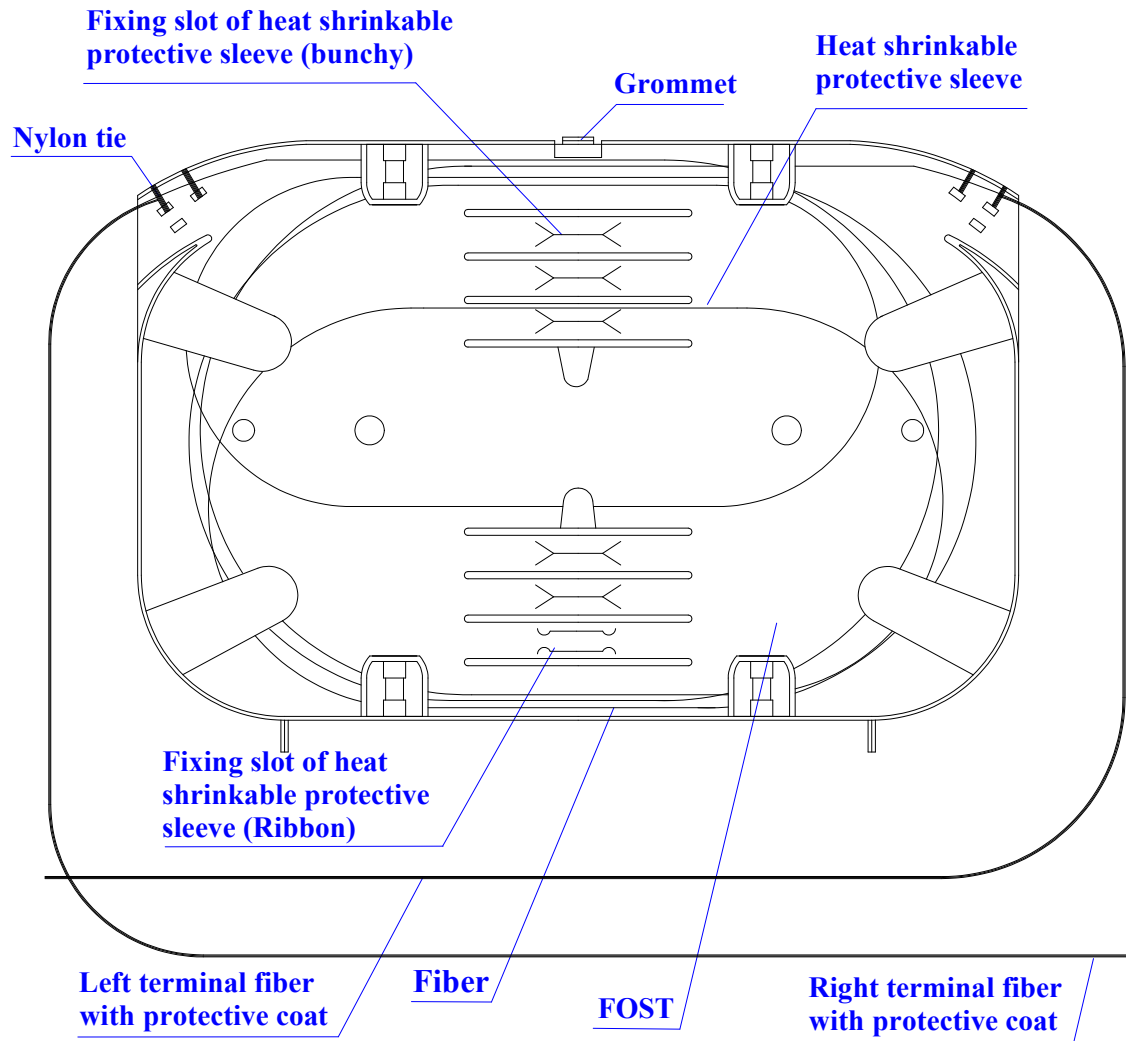
**Important issue:** pay attention to the twist and bend of fiber.

## 5.7 Step Seven -Install heat shrinkable protective sleeve and house fibers

5.7.1 When having completed splicing the fibers, the first fiber ring should be housed on the farthest side of FOST, the remaining fiber should be winded, forming a ring with diameter not less than 80mm. then put it into FOST (Fiber Optic Splice Tray) together with heat shrinkable sleeve for splice protection.(Firstly fix heat shrinkable protective sleeve into the slot, then enlarge the diameter of fiber ring properly.)

5.7.2 See Drawing 6

**Important issue:** pay attention to the twist and bend of fiber.

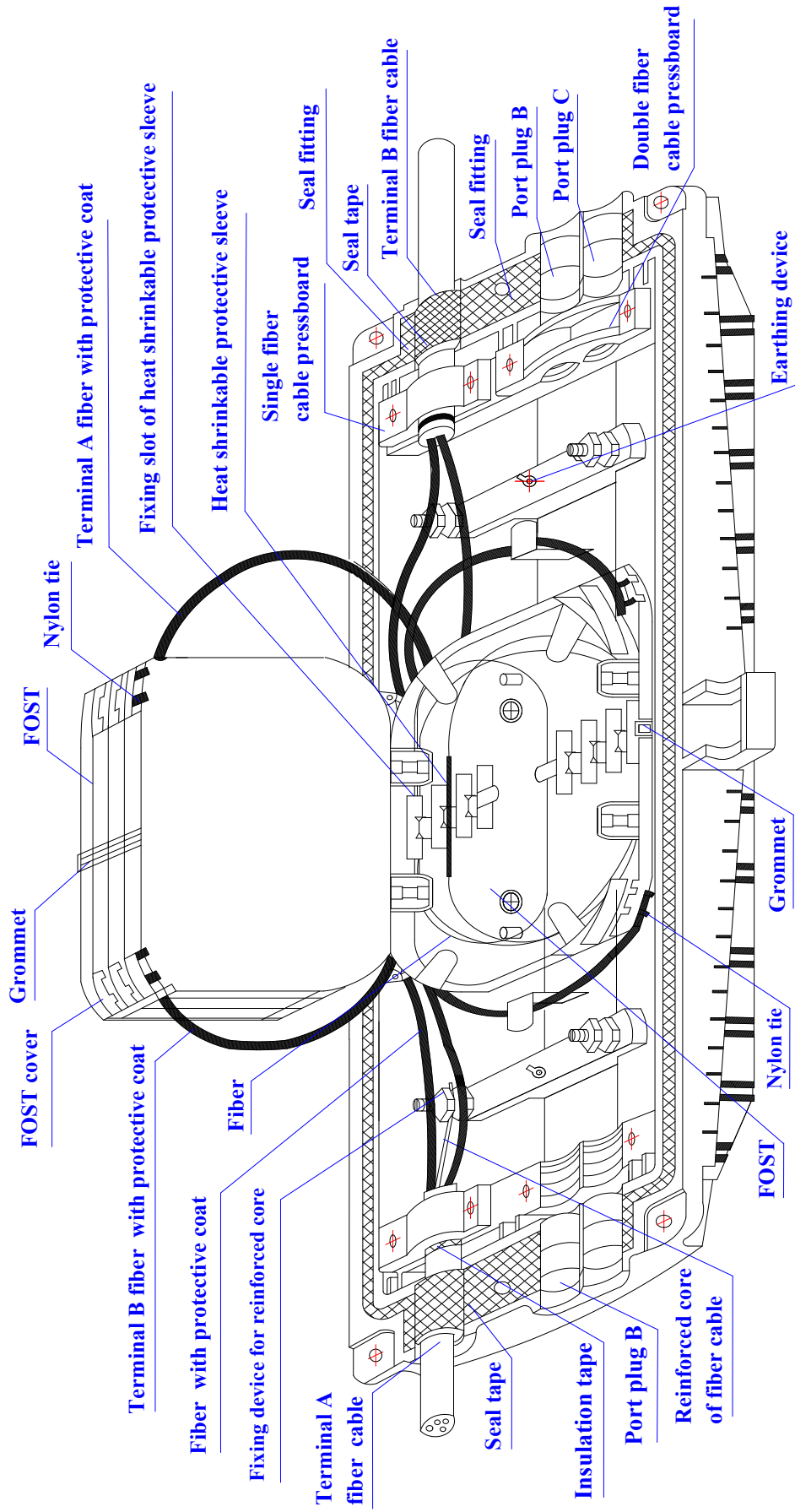


**Drawing 6**

### 5.8 Step eight - Check up comprehensively

To ensure the technical requirements, the following instructions must be followed:

- 5.8.1 The fibers in the FOST are spliced and installed orderly. The curved diameter of fiber meets with the technical requirements.
- 5.8.2 The internal tighteners are tightened.
- 5.8.3 The inlet/outlet ports without fiber cables must be blocked up with the port plugs.
- 5.8.4 Control the amount of seal tape within a proper range.
- 5.8.5 Seal fitting is installed neatly and smoothly.
- 5.8.6 Seal the cover of seal fitting
- 5.8.7 See Drawing 7



**Drawing 7**

## 5.9 Step Nine – Assemble FOSC housing

- 5.9.1 Put the FOSC cover on the FOSC bottom directly.
- 5.9.2 Put two pieces of insert plates into the slot and with special wrench knocked tight.
- 5.9.3 Insert two pieces of locating bolt of FOSC and tighten it with the special wrench.
- 5.9.4 If the FOSC is for aerial application, then put the hanging hook on one side of the closure and then tighten fixing bolts on both sides. Otherwise tighten the four fixing bolts on four corners respectively.
- 5.9.5 See drawing 8

**Important issues:** cleaning the housing and pay attention to the above sequence.

